

Product Information

Construction - Solid Vinyl Tile (Luxury Vinyl Tile / LVT)

International Specifications - ASTM F1700, Class III, Type B embossed surface

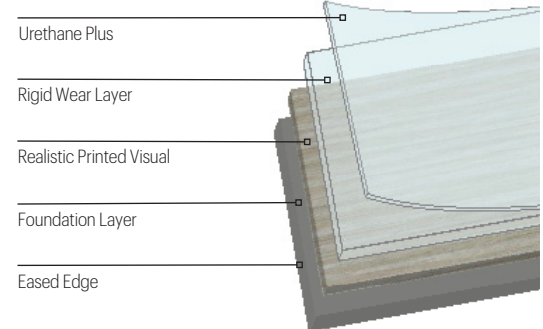
Overall Thickness - 0.100 in. (2.5 mm)

Wear Layer Thickness - 0.020 in. (0.5 mm)

Factory Finish - Urethane Plus

Installation - Adhesives: S-995, S-1000

Maintenance Options - No Polish - No Buff, Polish Optional



Packaging

Size	Pieces per Carton/Coverage	Shipping Weight per Carton
6 in. x 48 in. (152 mm x 1219 mm)	18 / (36 sq. ft.) 3.35 m ²	39 lbs. (17.73 kg)
6 in. x 36 in. (152 mm x 914 mm)	24 / (36 sq. ft.) 3.35 m ²	39 lbs. (17.73 kg)
18 in. x 18 in. (457 mm x 457 mm)	16 / (36 sq. ft.) 3.34 m ²	39 lbs. (17.73 kg)

Testing

ASTM F1700			
Performance	Test Method	Requirement	Performance vs. Requirement
Thickness	ASTM F386	Nominal ±0.005 in.	Meets
Wear Layer Thickness	ASTM F410	0.020 in. (0.5 mm) minimum for Commercial Use	Meets
Size	ASTM F2421	± 0.016 in. per linear foot	Meets
Squareness	ASTM F2421	0.010 in. maximum	Meets
Residual Indentation	ASTM F1914	Average less than 8%	Meets
Chemical Resistance	ASTM F925	No more than slight change in surface dulling, attack or staining	Meets
Resistance to Heat	ASTM F1514	ΔΔE < 8 avg., max	Meets
Resistance to Light	ASTM F1515	ΔΔE < 8 avg., max	Meets
Additional Testing			
Static Load Resistance	ASTM F1914	Avg. < 8%	Meets
Fire Test Data – Flame Spread	ASTM E648	0.45 W/cm ² or more Class 1	Meets
Fire Test Data – Smoke Evolution	ASTM E662	450 or less	Meets
Fire Test Data – Canada	CAN/ULC S-102.2	Use dependent	Flame Spread - 5 Smoke Developed - 75
ADA Standards for Accessible Design	Chapter 3, Section 302.1	Floor surfaces shall be stable, firm and slip resistant	Meets
Dimensional Stability	Internal	≤ 0.020 in. per linear ft.	Meets
Static Coefficient of Friction**	ASTM D2047/UL 410	≥ 0.5	Meets
Acoustics	ASTM E492 (IIC) ASTM E90 (STC) ASTM E2179 (DELTA IIC)	International Building Code (IIC ≥50) International Building Code (STC ≥50) Sound Transmission Reduction	6 in. concrete, no ceiling with S-1840 Quiet Comfort Luxury Flooring Underlayment IIC - 53 STC - 51 Delta IIC - 22

Sustainability

WELL v1 Feature

Air	Feature 04 - VOC Reduction
	Feature 11 - Fundamental Material Safety
	Feature 25 - Toxic Material Reduction
Mind	Feature 97 - Material Transparency
	Feature 88 (Part 2) Biophilia I - Qualitative
	Feature 99 - Beauty and Design II

Unify

✓
✓
✓
✓
✓
✓

Contribution

Tested and third party certified by FloorScore® as complying with CDPH v1.2
Product is free of asbestos and added lead (Part 1)
Free of flame retardants (Part 2) and phthalates (Part 3)
Readily available Health Product Declaration® (HPD) to 1000 ppm
Products available that incorporate nature patterns
Patterns and colors to aid in wayfinding and spatial familiarity (Part 3)

WELL v2 Feature

Air	Feature X12 - Short Term Emission Control
	Feature X11 Long-Term Emission Control
	Feature X01 Fundamental Material Precautions
	Feature X10 Volatile Organic Compound
Materials	Feature X14 Material Transparency
	Feature M02 Access to Nature
Mind	Feature M02 Access to Nature
	Feature C13 (Part 2) Accessibility and Universal Design

Unify

✓
✓
✓
✓
✓
✓
✓

Contribution

Adhesives associated with product are tested and third party certified by FloorScore as complying with CDPH v1.2
Flooring is tested and third party certified by FloorScore as complying with CDPH v1.2
Product is free of asbestos
Free of flame retardants (Part 2) and phthalates (Part 3)
Readily available Health Product Declaration (HPD) to 1000 ppm
Products available that incorporate nature patterns
Patterns and colors to aid in wayfinding and spatial familiarity

LEED™ v4.1

BPDO - EPD
BPDO - Material Ingredient
BPDO - Sourcing
Location of Manufacturer
Low Emitting Flooring
Low Emitting Adhesives
SCAQMD #1168 Compliant.
Adhesives meet <50 g/L requirement

Unify

Product Specific
HPD
29% pre-consumer recycled content
USA
Tested and third party certified by FloorScore as complying with CDPH v1.2
Tested and compliant to CDPH v1.2; Methylene Chloride and Perchloroethylene not intentionally added; FloorScore Certified
S-995 - 0 g/L
S-1000 - 0.1 g/L

Carbon Footprint

Global Warming Potential, excluding Biogenic Carbon Raw Materials (A1) through Production (A3)
--

Unify

0.64 Kg CO ² eq. / square foot (6.88 Kg CO ² eq. / square meter)

Limited Warranty

15-year Commercial; 30-year Residential Warranty when installed in strict accordance with the detailed instructions.

Visit ArmstrongFlooring.com

for complete Product, Technical, Adhesives, Installation & Maintenance recommendations.

AF-1006-1122

Armstrong and the Armstrong logo are under license from AWI Licensing LLC. | All other trademarks are owned by AFI Licensing LLC. | © 2022 AFI Licensing LLC. FloorScore® is a registered trademark of the Resilient Floor Covering Institute. | LEED® is a registered trademark of the United States Green Building Council. The Health Product Declaration® Logo is a registered trademark of HPD Collaborative.

